



CAREFREE

A wonderful wrinkle-shedding blend of Chemcell acetate and viscose makes a smart and practical sportswear style. A Jonathan Logan design, it has a contrasting coffee cummerbund and its own neckline.

MARY HAWORTH

Adjust Student Teacher Status

DEAR MARY HAWORTH—I am a foreign student, from halfway across the world, here for the sole purpose of pursuing graduate studies. I have a scholarship, plus the honor of being on the teaching staff of the university.

My daily association with American college students is a rich experience, and this happy pattern is being made more pleasant by an American girl.

Ruth is an out-of-state student, with the same problems I faced at first, though in milder degree: social and academic adjustments in a new place. We have common interests, mutual sympathies and enjoy each other's company.

During these months of close acquaintanceship, our attachment has grown into more than casual friendship; and I have come to realize that love transcends all barriers.

IS IT MUTUAL?

I am an active member of the International Student Association on campus and would like to invite Ruth to one of our social affairs—but I dare not, on ethical grounds. Unfortunately she is one of my students—smart in class, a serious scholar, trying hard for a scholarship next year.

I know she would like to go to our clubs' activities, but how can I invite her, without straining our student-teacher relationship? She and her classmates might think I am overstepping. And she can't take the initiative either, because her classmates might be misled to suppose that her good grades were hard-earned.

Within the bounds of propriety, how can I convey to her (and others) that our friendship isn't purely academic? I know she feels as I do. We are suffering in silence, neither has ventured to break the ice. I implore your advice.—L.G.

IT'S DONE

DEAR L.G.—I've been doing some checking with the dean of students at a great university (not yours, by the way), to discover if it is improper—or considered so—for a teacher to date a member of the class.

The guarded but honest answer I get—from an urbane conservative—is that it may be frowned upon, but it is done. Given a four-year span on any typical college campus, one will know of instances of teacher dating student, it was told; and some of these ventures will end in marriage.

My consultant says, "Faculty persons have married undergraduates; that's a fact we don't deny," he stressed. "And when a faculty person, seen dating a pupil, it is to be expected that certain classmates will look askance at the situation. In that sense, perhaps it is unwise," he reflected.

"But the moral seems to be that a faint heart ne'er won fair lady."

PRUDENT COURSE

Your sense of discovery that love transcends all barriers, indicates that you are seriously smitten; in which case you don't want to make mistakes that might undermine Ruth's social standing or yours.

It seems to me the prudent course would be to discuss your secretaries with a faculty adviser on your campus—and thus go on record as having a strictly honorable attitude. However, this would be helpful only if the counsellor is naturally sympathetic, wise and judicious, thus capable of thinking creatively about human dilemmas—and not just a duly agnate.

The dean of women, or the dean of men, or the dean of students would be an appropriate counsellor—if their personal qualities are acceptable. But if you shrink from that prospect, the brave alternative is to forthrightly ask Ruth to be your guest at a club party—and behave your best.

Whether you meet with success or failure.—M.H.

Mary Haworth counsels through the column, not by mail or personal interview. Write her in care of this newspaper.

Fawcett

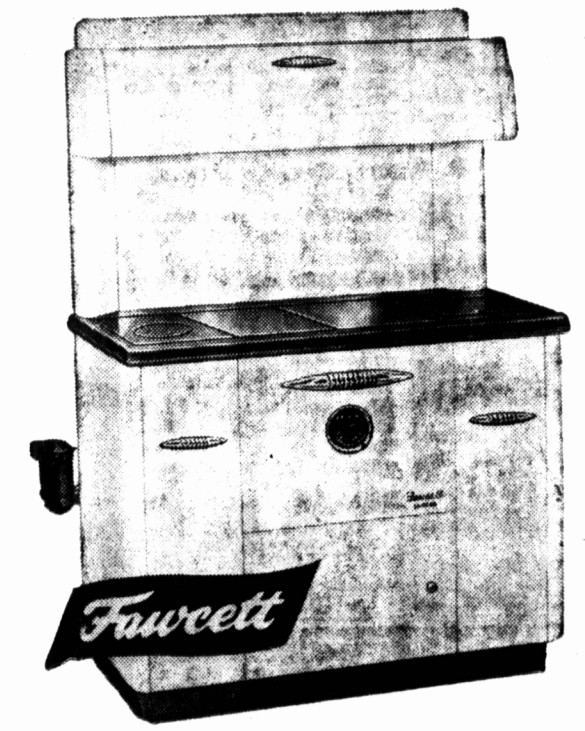
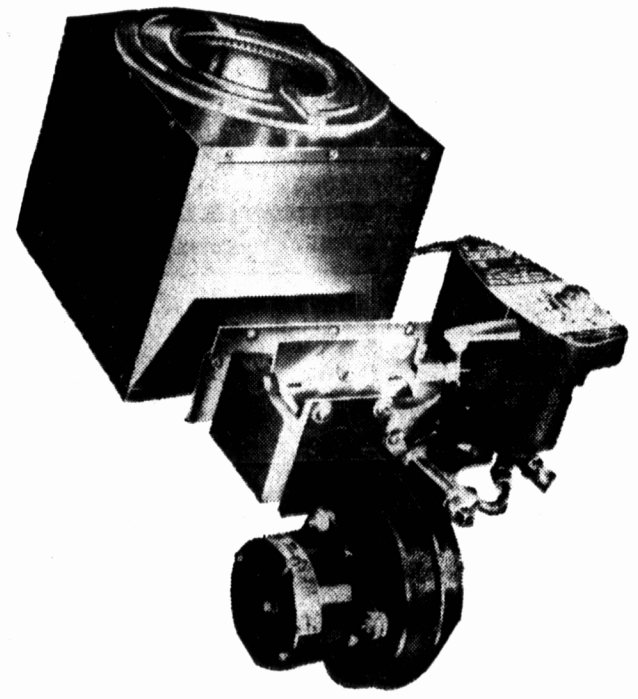
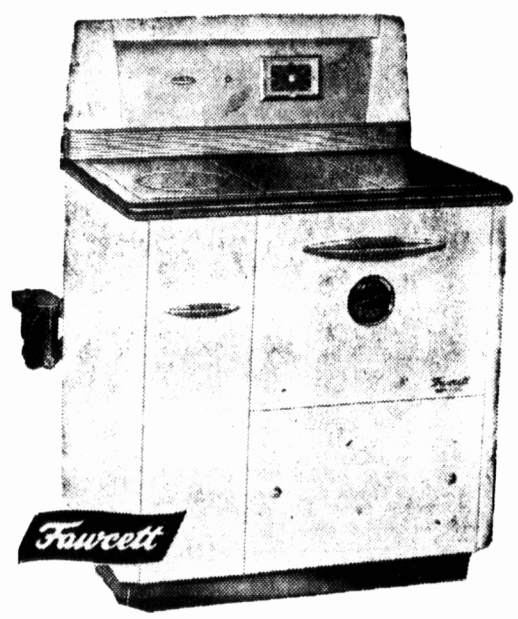
THE NAME KNOWN IN EVERY KITCHEN WHERE COOKING and BAKING EQUIPMENT IS PRIZED FOR ITS PERFORMANCE AS WELL AS ITS STYLE--

The **Fawcett** TORRID OIL OUT PERFORMS ALL OTHERS

For BAKING and COOKING, WATER HEATING, HOME HEATING and ECONOMY ---
ASK ONE OF THE THOUSANDS WHO USES ONE;

HERE IS WHY!

THIS SYNCHROMATIC DRAFT METERS THE FLOW OF AIR AS IT METERS THE FLOW OF OIL —
EFFICIENCY with ECONOMY;



Your Present Range Is Worth Money

SEE CROCKETT and STOREY LIMITED ABOUT ITS TRADE-IN VALUE

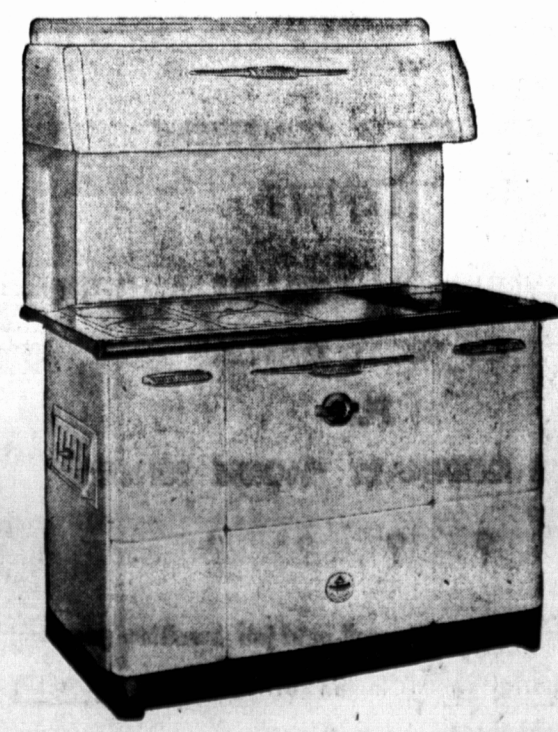
50.00

TRADE-IN ALLOWANCE

on **Fawcett**

STANLEY BEAVER

COAL RANGE
OIL RANGE



STANLEY
COAL RANGE

SHORT MODEL:

- With High Shelf
Cost Price\$209.00
Less Trade-in 50.00
NET SPECIAL \$159.00

- With High Closet
Cost Price\$219.00
Less Trade-in 50.00
NET SPECIAL \$169.00

RESERVOIR MODEL:

- With High Shelf
Cost Price \$239.00
Less Trade-in 50.00
NET SPECIAL \$189.00

- With High Closet
Cost Price\$249.00
Less Trade-in 50.00
NET SPECIAL \$199.50

BEAVER

POT TYPE OIL BURNER
(Including Oil Tank and Stand)

SHORT MODEL:
(Less Reservoir Section)

- With High Shelf
Cost Price\$239.00
Less Trade-in 50.00
NET SPECIAL \$189.00

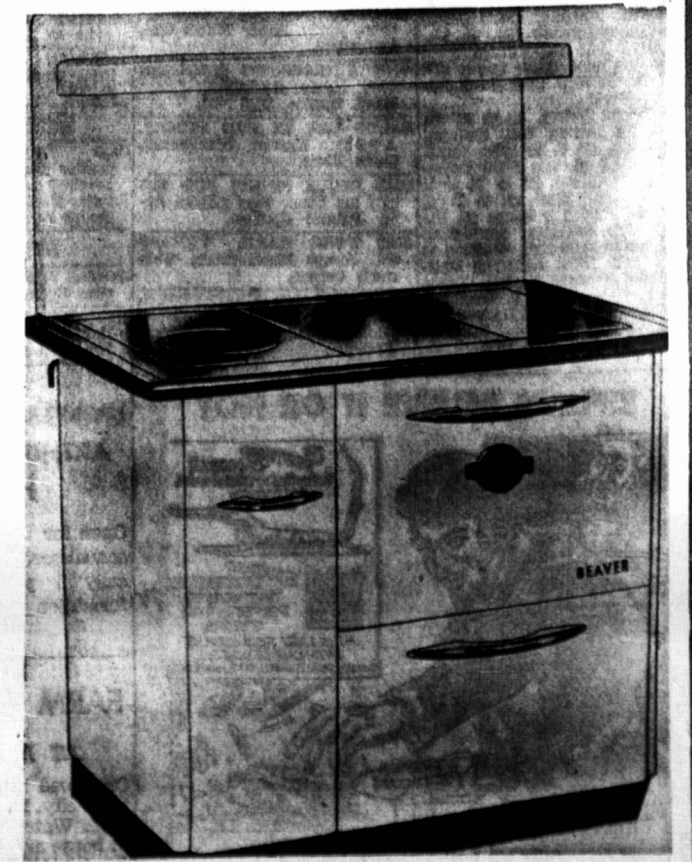
- With High Closet
Cost Price\$249.00
Less Trade-in 50.00
NET SPECIAL \$199.00

RESERVOIR MODEL:

- With High Shelf
Cost Price\$279.00
Less Trade-in 50.00
NET SPECIAL \$229.00

- With High Closet
Cost Price \$289.00
Less Trade-in 50.00
NET SPECIAL \$239.00

Blower Available at Small Extra



CHARLOTTETOWN

CROCKETT and STOREY LTD.

SOURIS