

BLUE RIBBON TEA

For Fine Flavor



SAVE THE COUPONS FOR VALUABLE PRIZES

BURLINGTON & VICINITY

Mr. Vernon Reeves, Burlington left on Monday for Fredericton, N.B.

Mr. Marie Campbell, Burlington, left on Wednesday for Charlottetown where he plans to take a five months trade course.

Mr. Halsey Profit, Burlington, left on Wednesday to visit his aunts Mrs. Harry Brander, Charlottetown and Mrs. Laura MacLeod, Orwell.

Mr. and Mrs. Ernest White, Charlottetown, and Mrs. Daniel Hickox, Burlington, have returned to their respective homes after a brief visit to Boston, Mass. They were accompanied on the return trip by their sister, Miss Hilda MacLeod, who is convalescing after an illness at the home of Mrs. Hickox.

Previous to her marriage, Miss Jean Fitzsimmons was tendered a miscellaneous shower at the home of her mother, Mrs. Linus Fitzsimmons on the evening of Thursday, October 24th, 1947, which was attended by many friends and neighbors. The bride-to-be was escorted to the bridal chair which had been placed beneath a beautifully arranged arch of maple leaves and flowers by her friend, Miss Verne Paynter, of Charlottetown. The well-filled basket was carried in by Master Earle and Miss Ethel Fitzsimmons. The parcels were opened by Miss Ora Hogg, Traveller's Rest, Mrs. Charles Cole, Spring Valley and Miss Evelyn Bernard, Long River. The attached names and good wishes were read by Miss Helen Doucette, Summerside, and the gifts were arranged by Miss Irene Paynter, Kensington. The recipient gratefully thanked her friends for the many lovely gifts received, and extended an invitation to visit her in her new home. A delicious lunch was served by those assisting in serving were Mrs. Edwin Bernard, Mrs. Heath Campbell, Miss Myrtle Bernard, Mrs. Ernest Dunning, Mrs. W.J. Paynter, Mrs. Eustace Paynter and Miss Mae Pound. Among those present was Mrs. Charlotte Hogg, grandmother of the groom whose age in years is 94.

Sunbeam Mission Band held its annual Thanksgiving service at Margate United Church on Sunday evening with Mrs. John Johnston presiding. The service opened with the singing of hymn 637 followed by Scripture readings by Miss Freda Mayhew and prayer by Miss Bonnie Woodside. Messrs Andrew Johnstone and Ernest Dunning of Long River then sang a duet with Mrs. Murdoch MacLeod at the organ. Miss Shirley Henderson gave a recitation which was followed by a song by the girls of the Band. A paper on Missionary work was read by Miss Barbara Woodside. Mrs. Arthur Profit presided. The service closed with the Mission Band, with the gift of a life membership certificate in the Women's Missionary Society. The offering was received and Mrs. Horace Thompson, Long River, rendered a pleasing solo. Mrs. T.J. Humphrey of Kensington addressed the congregation, bringing an inspiring and timely message. A number by the Long River quartette, Messrs Murdoch MacLeod, E. Dunning, Andrew Johnston and Alexander Brown was then enjoyed. Hymn 488 and prayer and benediction by Mrs. T.J. Humphrey brought the beautiful and instructive service to a close. All those who had assisted with the service were invited to the home of Mr. and Mrs. Harold Woodside where a sing-song was enjoyed and refreshments were served. Those assisting the hostess were Mrs. Arthur Profit, Mrs. George Mayhew, Mrs. John Johnston, Mrs. Wilbur Dennis and Miss Rena Woodside.

CORNER FINNERS

2 cups seasoned mashed potatoes
1 tablespoon celery seed
Bread crumbs
Crushed cereal flakes or fine bread crumbs
Add the celery seed to the mashed potatoes. Shape into strips 1 inch wide and 3 inches long. Dip into slightly beaten egg, then roll in cereal flakes. Fry in deep fat. Drain well.

Howlan

Mr. Anthony Finnan and Mr. J. H. Richard motored to Springfield on Sunday.

Henry Gallant, Howlan, and Dannie Rogers, Lot 7, recently left for N. B. to seek employment.

Mrs. Dominick Arsenault of Summerside, arrived in Howlan on Friday to visit her old friends and neighbors.

Little Miss Theresa A. Gallant, eldest daughter of Mr. and Mrs. Lorraine Gallant on Nov. 13th celebrated her 3rd birthday.

Mrs. Jack Gallant and small son Wayne, also Mrs. Joe Gallant, spent Sunday visiting relatives in Tignish.

Mr. George and Colston Wood left on Monday to seek employment in the lumber woods in Quebec.

Mrs. Ben Theriault of Charlottetown and her sister, Mrs. Peter Gaudet, Kensington, spent several days in Howlan recently.—How.

Congratulations to Mr. George Gallant of Plusville and Miss Rosetta McKenna of Dock Road on their marriage on Monday, Nov. 10th.

Mr. Jerry Arsenault of Howlan had bad luck over the week-end as he had to kill his best horse which had been sick for the past couple of weeks.

Little Jerry, son of Mr. and Mrs. Pius Dolron has been very sick with pneumonia. His little friends will be pleased to have him back in school again when fully recovered.

Mr. J. H. Richard has had a telephone installed recently in his home. Mr. Richard also has the house and mill lit by electricity, having his own power from the mill pond.

Miss Doris Gallant went on a business trip to Summerside on Friday. While there she will visit her aunt, Mrs. John Cahill; also her cousins, Mrs. Bill Pickering and Mrs. Alyre Deroche.

Mrs. Ben Theriault, Charlottetown, and her sister, Mrs. Peter Gallant, Kensington, spent last week-end in Howlan, guest of Mr. and Mrs. Joe Deroche and Mrs. Gaspard Arsenault.

Mr. Fred and Alban Arsenault were employed in Wilmot recently digging out and enlarging the ice pond for MacQuarrie's ice firm. Mr. MacQuarrie delivers ice to all the town of Summerside.

Much credit is due Mr. Alvin Webb of O'Leary in having moved in to his new Post Office there. Having secured the building at Mr. Pleasant airport now it is all renovated and painted; also well heated.

Her friends are sorry to report that Miss Aileen Finnan has been suffering a great deal lately; with an abscess just below her eye, and hope she will soon be fully recovered and able to return to her studies and to school.

Mr. and Mrs. Power of Summerside, accompanied by Mrs. Power's mother, Mrs. Millie Gallant, were guests on Sunday at the home of Mr. and Mrs. Alban D. Arsenault, also Mr. and Mrs. Fred Arsenault. They rode up from Summerside by jeep.

The St. Anne's Club of Woodstock and Howlan held their annual meeting on Wednesday, the 12th, instead of the usual second Tuesday of the month at the home of Mrs. Alban D. Arsenault with 18 members present, a small attendance on account of bad weather and some of the members being sick. However the different committees gave their reports, with new ones then appointed for the following year. As the president was secretary had both served more than their term they both resigned and new ones appointed. President, Mrs. Jerome Gallant; vice-president, Mrs. Anthony Finnan; secretary, Mrs. Doris Gallant; treasurer, Mrs. J. Philip Arsenault. Next meeting to be held at the home of Mrs. A. A. Arsenault with roll call answered by casting their vote in a ballot box. There will also be an auction sale at this meeting. After the meeting was over and all the business settled the members were invited to the dining room where they partook of a very delicious goose supper, with all the trimmings, which was very much enjoyed by one and all and served by the hostess, assisted by Mrs. Wm. Shields, Mrs. Ben Gallant and Miss Doris Gallant. Music on piano was furnished by Miss Evelyn Johnston, while Miss Ethel Finnan sang. As this was as well as all good times comes to an end the evening was closed by a short prayer. Each one then departed for home thanking Mrs. Arsenault for having had such a good time.

WEDDING BELLS

A charming autumn wedding was solemnized at the Church of the Holy Family, Kensington at 7:30 Wednesday morning, October 15th, 1947, when Mary Teresa Jean, eldest daughter of Mrs. Linus Fitzsimmons and the late Mrs. Fitzsimmons, Long River, became the bride of Joseph Russell Alvin, son of Mr. and Mrs. Gordon Hogg, Traveller's Rest. Reverend Father Reginald MacDonald officiated at the wedding ceremony and nuptial Mass. The youthful bride looked very winsome in her suit of light blue wool with pink corsage, black hat with gold trimming and other accessories in black. Miss Gladys Fitz-

Proved for PLUS Performance... the World Over



In London and the capitals of Europe, the name Philips stands for the finest in radio.

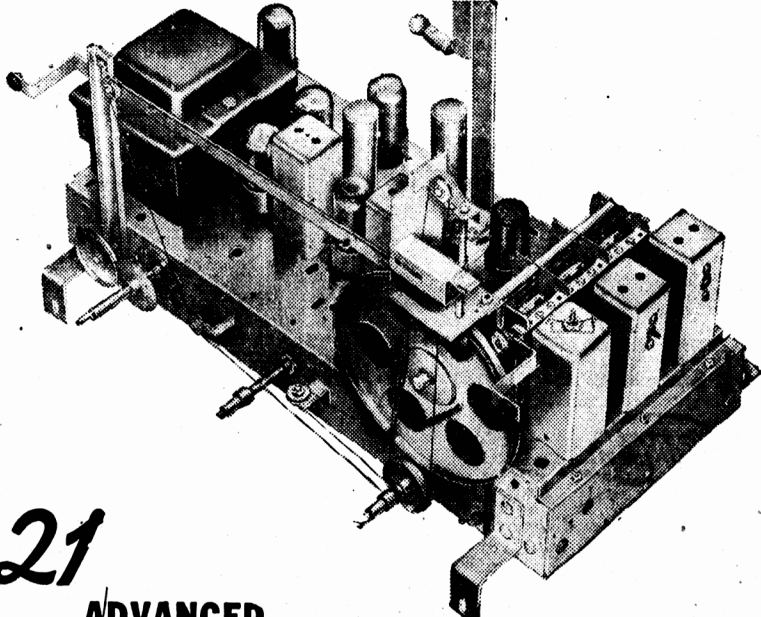


In far-distant corners of the world, scientists, explorers and outpost settlements, ranchers and farmers rely on Philips radio.



In Rio de Janeiro—as in other cities, towns and villages on every continent—Philips is the choice of those who need or want the best in radio.

NOW famous PHILIPS RADIO Comes to Canada!



21 ADVANCED PHILIPS FEATURES

1. Harmonious, pleasant styling.
2. Good cabinet craftsmanship.
3. Acoustically designed cabinets for better tone.
4. Climate proof finish and construction.
5. Special, sensitive loudspeakers of wide acoustical range.
6. Easy tuning.
7. Good wave range indication.
8. Smooth volume control operation.
9. Effective tone control circuit.
10. High selectivity.
11. Low random noise.
12. Optimum stability for useful shortwave reception.
13. High selectivity for interference-free, long distance reception.
14. Unusually effective A.V.C. action.
15. Clear illuminated dials.
16. Climate-proof components.
17. Great safety margins in the rating of components to prevent failures.
18. Modern manufacturing methods applied, with quality checks and double checks.
19. Durability of construction for long-lasting, satisfactory operation.
20. Well-balanced circuit design, without "flicky" solutions, giving the type of reliability you expect from a motor car.
21. Layout of components made for minimum servicing time.

For those who need or want the Finest Reception

From Brisbane to Bristol—Saigon to Paris—Casablanca to Cape Town—Caracas to Calcutta—PHILIPS is a household word for the best in radio—for highest quality, smartest styling, the utmost in tone and performance. In dozens of different countries the world over, PHILIPS is the leading radio... owned and preferred by more people than any other make.

Now—for the first time—Canadians, too, can own and enjoy one of these truly magnificent instruments! Specially designed for Canadian conditions... incorporating exciting new electronic advancements perfected by Philips' wartime research... backed by Philips' 56 years of experience around the globe... the new Philips radio receivers and radio-phonograph combinations are now on display in the showrooms of better radio dealers.

See, Hear for Yourself!

Built in Canada, by Canadians, these

entirely new instruments offer you thrilling advancements in radio science, developed in the world-famous Philips Research Laboratories, where more than 1,000 scientists and technicians unceasingly study and explore new ways to improve radio. In fairness to your own eye for beauty—your ear for finer, faithful tone—your own good sense of value, you should see and hear Philips Radio before you buy.

Prepare to be Surprised!

Here is new noise-free sensitivity—Philips Radio lets you listen to distant stations enjoyably. Here is a new "high" in natural tone—because Philips uses special, sensitive, "wide-range" loudspeakers and perfected tone control circuits. Here is short-wave reception such as Canadians have never enjoyed before—complete coverage of the whole world's broadcasts, right down through the 13-metre band!

Yes, now, you can discard all your old ideas of radio reception. Now, you owe it to your own eyes and ears and pocketbook to visit your nearby Philips Dealer today!

Today!... SEE and HEAR the NEW PHILIPS RADIOS at YOUR NEAREST QUALITY DEALER

Sole Distributor for P. E. I. • SMALLMAN'S LIMITED • SUMMERSIDE PHILIPS INDUSTRIES LIMITED • PHILIPS HOUSE • PHILIPS SQUARE • MONTREAL

simmons attended her sister as maid of honor. She was becomingly costumed in a cocoa brown wool suit with dark brown accessories and yellow corsage. Mr. Kenneth Laughlin capably acted the role of groomsmen. The bridegroom's gift to his bride was a pearl necklace, to the bridesmaid gold earrings, and to the best man a leather billfold. The nuptial music was played by Mrs. Edgar Hickey, Indian River. The ceremony was witnessed by many friends of the contracting parties, among whom was the groom's grandmother, Mrs. Charlotte Hogg who is 94 years young. The happy young couple motored to Moncton on a short honeymoon trip in company with Mr. and Mrs. E. Matthews. On their return on Thursday, the bride's mother entertained at a reception attended by about 50 invited guests. On this occasion the bride was charmingly gowned in Loganberry red wool. An attractive wedding supper was graced with two beautifully decorated wedding cakes. Assisting the

hostess were Mrs. William Gillis, Graham's Road, Mrs. Daniel Gillis, Norboro, Mrs. Herbert Bernard, Long River, and Mrs. Jerry Doucette, Summerside. Mr. and Mrs. Hogg will reside at Summerside where Mr. Hogg is a valued employee of the Ideal Dairy. —Bur.

Hot Tips For

Continued from page 28

sugar, salt, pepper, mustard and rolled oats. Place 1/3 of the potatoes in a shallow greased baking dish; cover with 1/3 of the tomato mixture and repeat until all of tomato mixture and potatoes are used. Brush weiners with melted fat and a little prepared mustard and place on top. Bake covered, in a moderate oven, 350°F., until potatoes are cooked, removing cover for last 15 minutes to brown weiners. Six servings.

LONG GOWNS FOR THEATRE, DINING

NEW YORK — Typical of the long gowns that are charming for the theatre, for dining out or for dancing and many other in-between occasions are those by Madame Etta, who is known for her beautiful designs for both women and misses. She uses stiff fabrics

in sweeping gowns, animated by color or line, and she uses gowns that flatter the figure, are beautifully draped and make an artistic use of color. She calls them "embassy" because they have dignity and formality enough for any official occasion, yet they are not strapless or low-cut as many of the ball gowns are.

If You Indulge In Over Eating

Sourness of the stomach, biliousness, heartburn, headaches, belching or other temporary disturbances are often caused by over-indulgence. In such cases Burdock Blood Bitters should give quick relief.

Burdock Blood Bitters is a pure vegetable compound for minor disorders of the stomach, liver, and bowels. It stimulates the action of the stomach and digestive organs thus improving digestion, and elimination.

You'll find B.B.B. on sale at drug counters everywhere. Accept no substitutes. Specify Burdock Blood Bitters. The E. Mills Co., Limited, Toronto, Ont.

Wedding Dress

Continued from page 17

a seam on the sleeve placed about three inches below the actual shoulder line; another seam meets this on each side of the coat continuing to the waist where it breaks into a pleat. With this ensemble, the Princess will wear a bonnet beret in blue felt exactly to match and trimmed with a large pom-pom of ostrich feathers and curled quills in two tones of blue. Her mushroom brown suede high-heeled shoes are out high in front at one side, and on the other reveal the feet; the instep; her suede gloves and bag will match.

GREATEST SHARE IN PRODUCTION

For the most part it is the girls and women in Norman Hartnell's embroidery workshops who have had the greatest share in its production for the past months, but it was arranged that every workroom should participate, not only in the making of the dress itself, but in those of the bridesmaids and in the Princess's going away ensemble. No other dresses for a Royal wedding have aroused such worldwide interest as that of the future Queen of the British Commonwealth of Nations. The Princess has shown her appreciation to the girls and women whose skilled craftsmanship has made her wedding dress such an exquisite work of art. Their representatives, chosen by ballot, have been invited to the wedding and will be in places from which they will have a good view of H. R. H. The Bride.